






PULSEJACK™ 10GBASE-T MAGNETICS MODULE

Designed to Support 10GBASE-T Transceivers



-  Compliant with IEEE 802.3 standard
-  Qualified with top 10Gig PHY Manufacturers
-  RoHS peak wave solder temperature rating 260°C
-  Low profile package for PCI Express
-  Fine-tuned magnetics to specific PHY vendors

Electrical Specifications @ 25°C — Operating Temperature 0°C to 70°C

RoHS Compliant Part Number	Tab Option	LEDs ² (L/R)	Insertion Loss (dB or better)		Return Loss (dB or better)		Common to Differential Mode Rejection (dB or better)		Cross Talk (dB or better)		Hipot (VRMS MIN)
			100 KHz	1-500 MHz	1-40 MHz	40-500 MHz	1-250 MHz	250-500 MHz	1-100 MHz	100-500 MHz	
JT0-0001NL	DOWN	NONE	-3.0	-1.0 (-0.6 dB TYP)	-18	-17+ 10*LOG(f/40)	-30	-22	-30	-20	1500
JTH-0020NL	DOWN	G-Y/G	-3.0	-1.0 (-0.6 dB TYP)	-23	-17+ 10*LOG(f/40)	-30	-22	-30	-20	1500

1. Pan Size (full-tray): JTH - 60; JT0 - 40
2. LEDs: (Left/Right) G=green, Y=yellow.

RJ45 Durability Testing Rating

Part Number	Mating Force (MAX)	Unmating Force (MAX)	Durability	Plug to Jack Retention (MIN)
JT0/JTH Series	5 lbs./2.268 kgs.	5 lbs./2.268 kgs.	750 Insertions	20 lbs./9.072 kgs.

RJ45 Material Specification

Part Number	Shield		Contact			Housing		MSL ² Rating
	Material	Finish	Material	Plating Area	Solder Area ³	Material	Specification	
JT0/JTH Series	Brass	50-200μ inches thick nickel over brass	Phosphor Bronze	50μ inches gold over 30-50μ inches nickel	200-500μ inches tin over 50-100μ inches nickel	Thermoplastic	UL 94 V-0	1

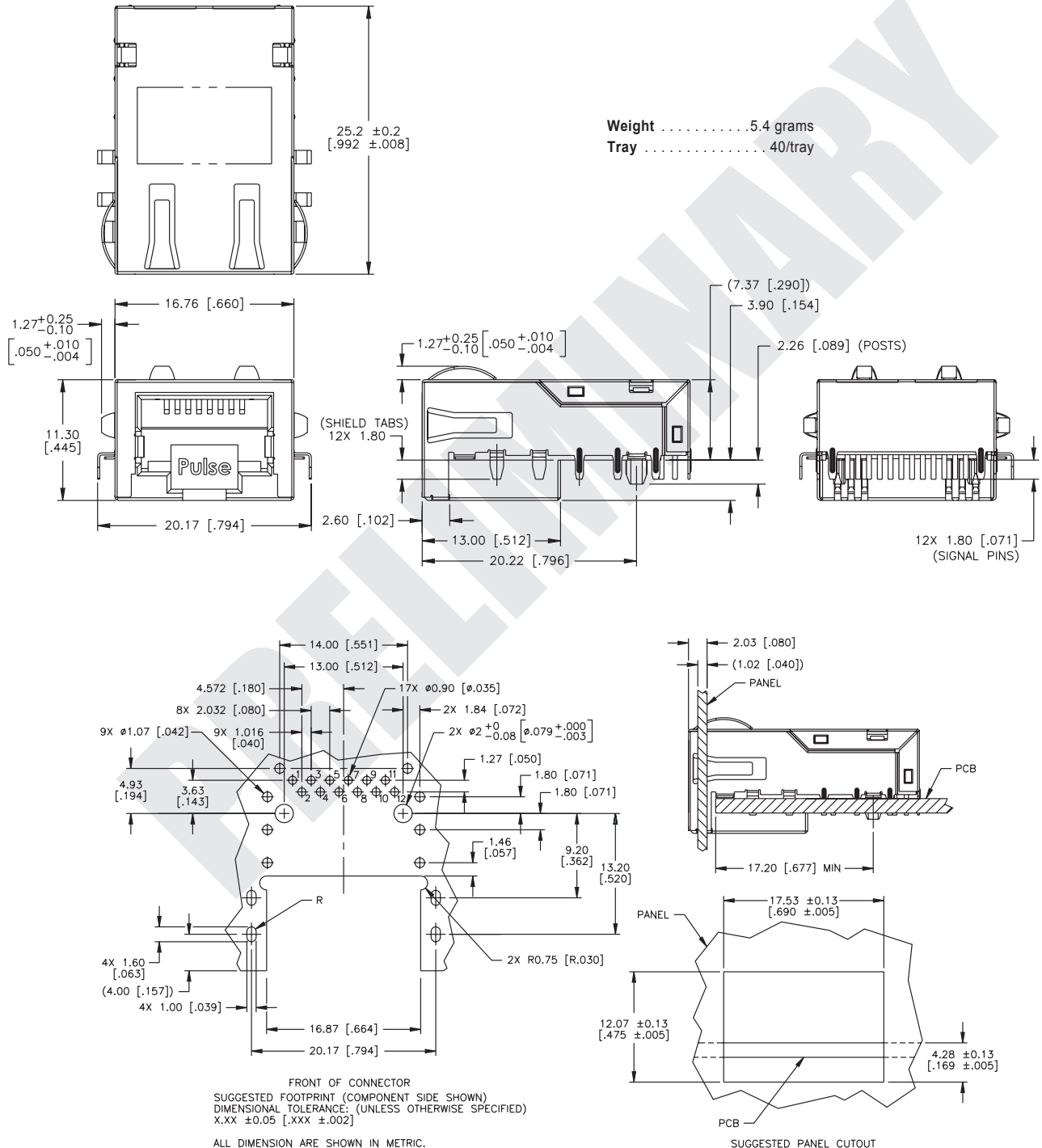
Notes: 1. Connector dimensions comply with FCC dimension requirements. 2. MSL - Moisture Sensitivity Level 3. All parts are tin matte finish over nickel.

PULSEJACK™ 10GBASE-T MAGNETICS MODULE

Designed to Support 10GBASE-T Transceivers

Mechanical

JT0-0001NL



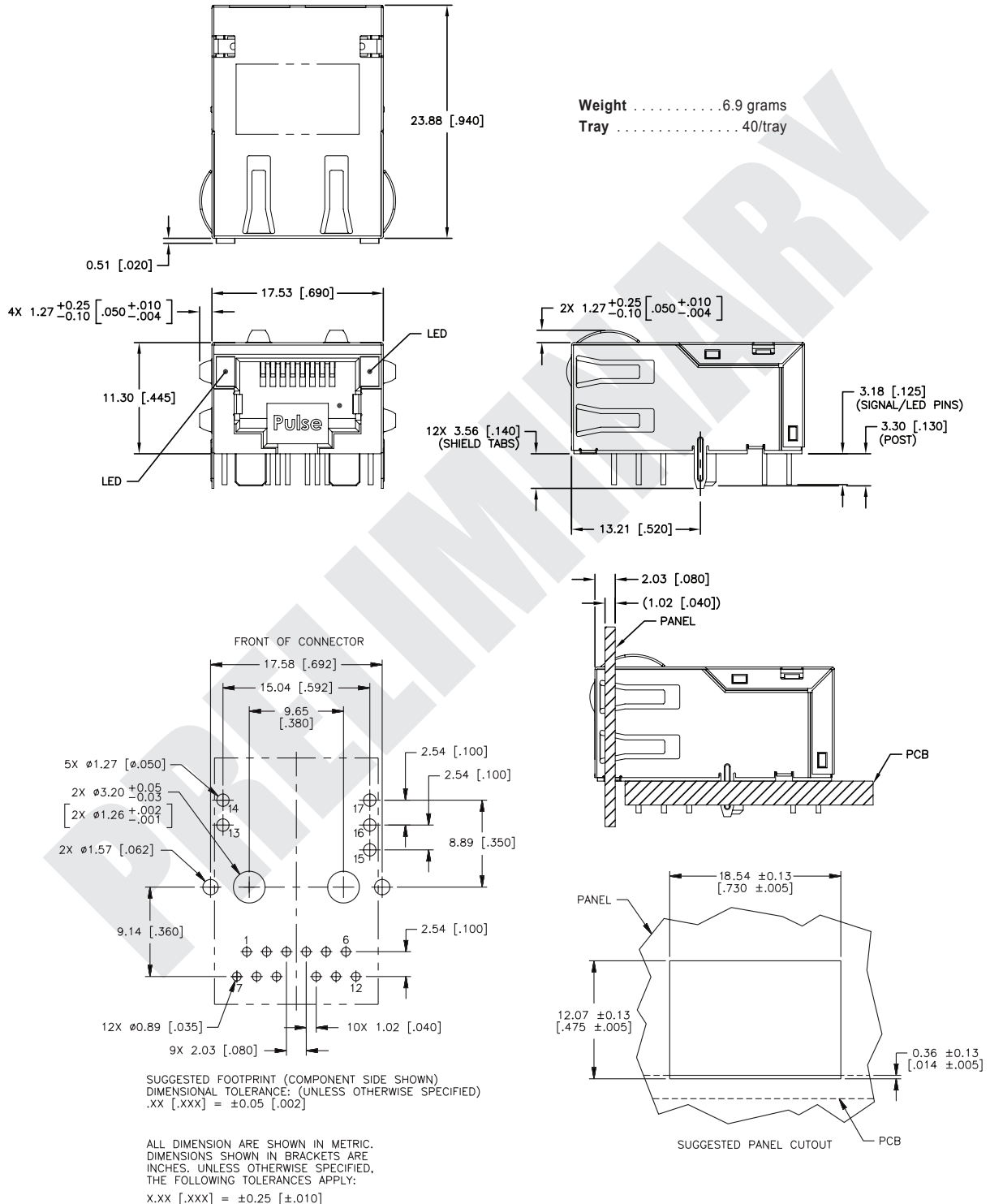
PULSEJACK™ 10GBASE-T MAGNETICS MODULE

Designed to Support 10GBASE-T Transceivers



Mechanical

JTH-0020NL



PULSEJACK™ 10GBASE-T MAGNETICS MODULE

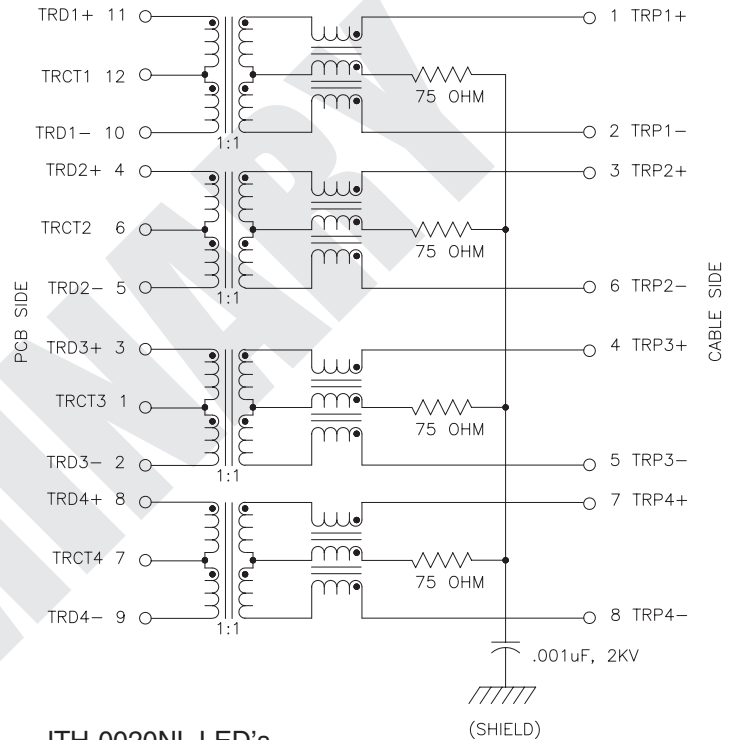
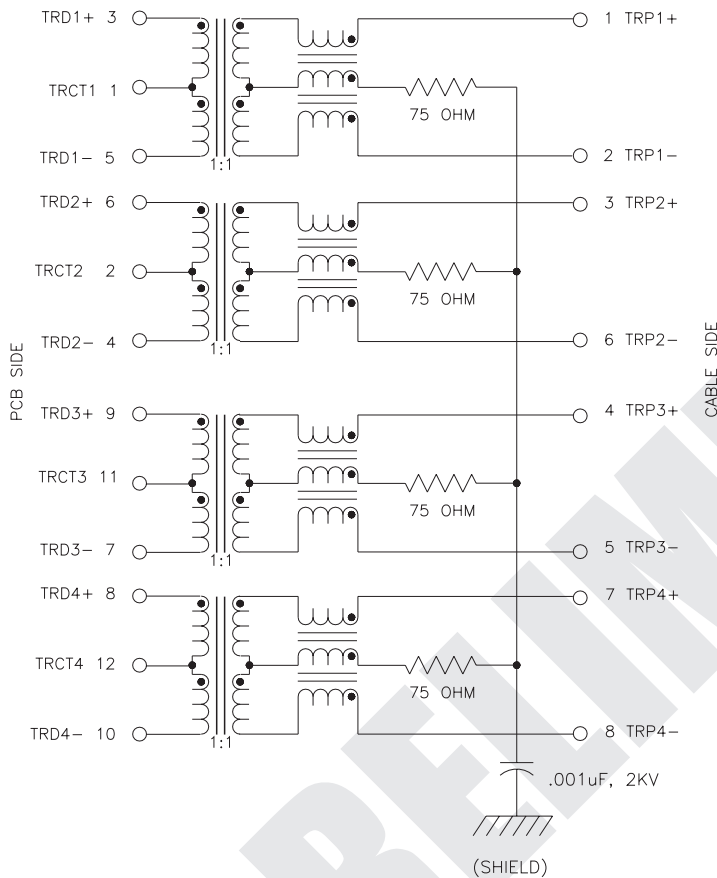
Designed to Support 10GBASE-T Transceivers



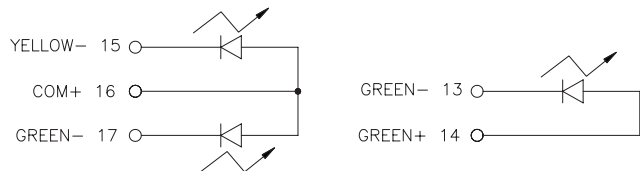
Schematic

JT0-0001NL

JTH-0020NL



JTH-0020NL LED's



For More Information:

Pulse Worldwide Headquarters
12220 World Trade Dr.
San Diego, CA 92128
U.S.A.
www.pulseeng.com

Pulse Europe
Einsteinstrasse 1
D-71083 Herrenberg
Germany

Pulse China Headquarters
B402, Shenzhen Academy of
Aerospace Technology Building
10th Kejinan Rd.
High-Tech Zone
Nanshan District, Shenzhen
P.R. China 518057
Tel: 86 755 33966678
Fax: 86 755 33966700

Pulse North China
Room 1503
XinYin Building
No. 888 YiShan Rd.
Shanghai 200233
China
Tel: 86 21 32181071
Fax: 86 21 32181396

Pulse South Asia
150 Kampong Ampat
#07-01/02
KA Centre
Singapore 368324
Tel: 65 6287 8998
Fax: 65 6280 0080

Pulse North Asia
No. 26
Kao Ching Rd.
Yang Mei Chen
Taoyuan Hsien
Taiwan, R. O. C.
32667
Tel: 886 3 4643715
Fax: 886 3 4641911

This is a "Preliminary" product data sheet. Products mentioned on this data sheet are in development and in the process of being qualified. These products are not fully released nor are they in production. Features, specifications and performance of products offered are subject to change without notice. Other brand and product names mentioned herein may be products and/or registered trademarks of their respective owners. For current information on this product, please contact the Pulse office nearest you and ask for the "LAN Applications Engineer." © Copyright, 2008. Pulse Engineering, Inc. All rights reserved.